



Refrigerant Detector

E2630-HFC

User Manual



Table of contents

Hydrofluorocarbons	3
Specifications	5
Product description	6
Safety requirements	6
Operating conditions	6
Installation guidelines	7
Mounting dimensions	8
Connections	9
Operation	11
Sensor probe handling	12
Maintenance	13
Calibration	13
Delivery set	13
Order code for E2630-HFC options	13
Warranty	14
Manufacturer contacts	14

Hydrofluorocarbons

HFCs are relatively non-flammable, chemically stable, and nonreactive.

Classification of halocarbon refrigerants

Group	Refrigerants
Chlorofluorocarbons (CFC)	R11, R12
Hydrochlorofluorocarbons (HCFC)	R22, R141b, R142b
Hydrofluorocarbons (HFC)	R32, R125, R134a, R143a
Hydrofluoroolefins (HFO)	R514a, R1234ze, R1234yf, R1336mzz
<p>Chlorine containing refrigerants (CFC and HCFC) are considered to be damaging to the ozone layer and contributing to the greenhouse effect. According to the Montreal Protocol, chlorine-containing halocarbons should be completely dismissed and their manufacturing closed down. Hydrofluorocarbons (HFC) contain no chlorine and are safer for the environment. Now hydrofluorocarbons are the most commonly used halocarbon refrigerants. Hydrofluoroolefins (HFO) is the last generation of refrigerants, more environmentally friendly than HFCs, but moderately flammable (A2L Class).</p>	

Properties of selected halocarbons

Name	Type	Components	Components weight %	Boiling point
R12	CFC	CCl_2F_2	100	-29.8 °C
R22	CFC	CHClF_2	100	-40.8 °C
R125	HFC	CHF_2CF_3	100	-48.5 °C
R134a	HCFC	$\text{CF}_3\text{CH}_2\text{F}$	100	-26.2 °C
R143a	HCFC	CF_3CH_3	100	-47.5 °C
R32	HFC	CH_2F_2	100	-52 °C
R1234yf	HFO	2,3,3,3-Tetrafluoropropene	100	-30 °C
R1234ze	HFO	1,3,3,3-Tetrafluoropropene	100	-19 °C
R404a	mixture	R125, R143a, R134a	44:52:4	-47.8 °C
R407c	mixture	R32, R125, R134a	23:25:52	-43 °C
R410a	mixture	R32, R125	50:50	-48.5 °C
Overexposure may cause dizziness and loss of concentration. At higher concentrations, CNS				

depression and cardiac arrhythmia may result from exposure. Vapors displace air and can cause asphyxiation in confined spaces. At higher temperatures (>250°C) decomposition products may include hydrofluoric acid (HF) and carbonyl halides.
An escape of refrigerant through a leak may damage the refrigerating facilities.

Specifications

Sensor type	Metal oxide semiconductor
Sampling method	Diffusion
Alarm setpoints (release-LOW-HIGH)	160-200-400 ppm
Response time T90	<120 s
Signal update	Every 1 second
Sensor lifetime	> 5 years
Calibration interval	12 months
Power supply	24 VDC/AC \pm 20% (default) or 230 VAC (optional)
Power consumption	< 2 VA
Digital interface	UART
Relay outputs	2 \times SPDT, max 5 A, 30 VDC / 250 VAC
Alarm signaling	Buzzer 2 kHz, 85 dB; red LED
LEDs	Green/red (operation/fault), red (gas alarm)
Enclosure	Grey ABS, wall mount, protection class IP65
Dimensions	H140 \times W145 \times D55 mm
CE marking	According to 2014/30/EU and 2014/35/EU, EN 50491-4-1:2012 EN61000-6-3:2020, EN 61326-1:2013(EMC, emissions) EN 61000-6-1:2019, EN 61000-6-2:2019(EMC, Immunity) EN 60079-29-1:2016, EN 60079-29-2:2015 and EN 60079-29-3:2014
Operating conditions	-30...+60 °C; <95% RH non-condensing, 0,9...1,1 atm Explosion- safe indoor areas, Normal ambient oxygen level

Product description

E2630 series gas detectors are compact and easy-to-use instruments. The devices utilize novel fully calibrated and temperature compensated gas sensors with excellent repeatability, stability, and long lifetime.

Two relays RE1 and RE2 with switching contacts can be used to control alarm sirens, ventilation fans, shut-off valves, or other actuators. The devices are equipped with a visual and acoustic alarm.

The version of your detector is marked on the package.

Safety requirements

Misuse will impair the protection of the product. Always adhere to the safety provisions applicable in the country of use.

Do not perform any maintenance operation with the power on. Do not let water or foreign objects inside the device.

Removal of the PCB from the enclosure voids the warranty. Do not touch the electronic components directly, as they are sensitive to static electricity.

Connection diagrams can be found in the connections section. The device might not perform correctly or be damaged if the wrong power supply is connected.

External circuits connected to the equipment should have sufficient insulation rating according to the environmental conditions and equipment power.

A disconnecting device that is marked as such and easily accessible should be included in the installation of this product.

Operating conditions

The device should be used both in a non-hazardous indoor area and in a basic electromagnetic environment, where the latter is defined in EN 61326-1. Avoid strong mechanical shock and vibrations. Avoid corrosive atmosphere and areas highly contaminated with dust, oil mist, etc. Keep the instrument away from direct sunlight. A sudden temperature or humidity change might affect the sensitivity of the sensor.

When stored without powering in normal air for a long period, or in an environment contaminated with organic vapors or volatile oils, the sensor may show a reversible drift in resistance according to the environment.

Installation guidelines

There are no precise rules or standards to follow when installing gas detectors. The following points must be taken into account:

- Application (air quality control or leakage detection.)
- Properties of the space under investigation (room geometry, direction, and velocity of airflows, etc.),
- Halocarbons are heavier than air and tend to sink. The sensor should be placed near the floor.
- The device should be accessible for maintenance and repair.

The aforementioned conditions above will affect the coverage area of the device. however, the coverage area for a detector is usually between 2.5 to 5 meters radius.

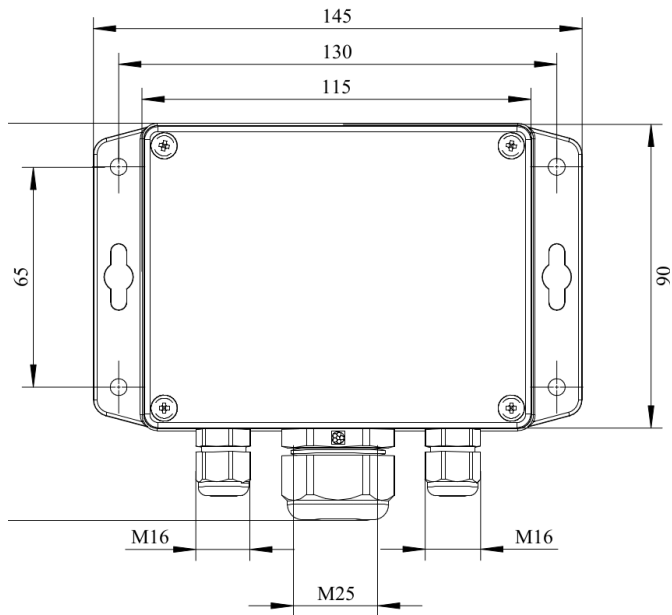
For early leakage detection install the sensor as close as possible to the potential leakage sources (flanges, valves, pressure reducers, pumps, etc.), taking into consideration other points listed above.

For general area monitoring without definite leakage sources, the detector should be distributed evenly in the room.

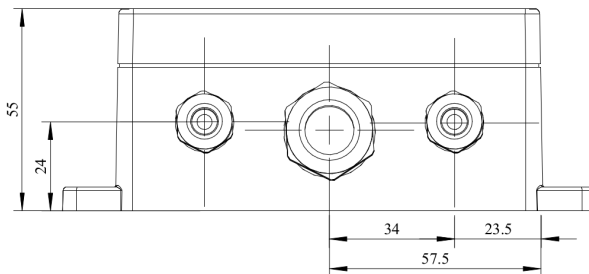
Do not locate the detector close to ventilation openings and strong air currents. Avoid the areas without air circulation (corners, niches) as well.

For personal safety control, the detectors are installed in the breathing zone (at the height of the head of people or animals). The recommended sensor position is vertical, pointing downwards.

Mounting dimensions



Front view

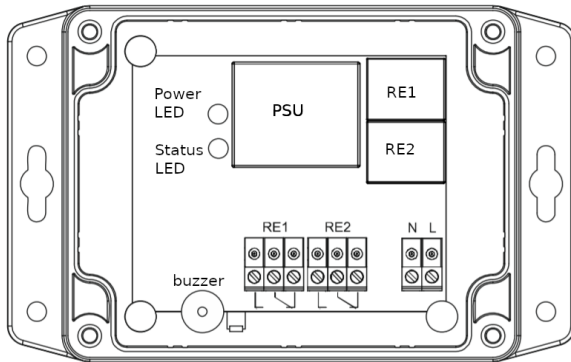


Bottom view

Connections

1. Unscrew four lid screws and detach the lid from the device;
2. Attach the device to the wall using provided screws through the side mounting holes or key slots (This step may be done before step 1, consider your convenience).
3. Use two M16 cable glands to let in the cables of the power supply and of the external devices.

Connect the power terminals N and L to the 24 V power source if you are using detector version -24 or to 230 V AC mains if you are using detector version -230 (see diagram below).



Terminals	
RE1 NO	Relay 1, normally open terminal
RE1 COM	Relay 1, common terminal
RE1 NC	Relay 1, normally closed terminal
RE2 NO	Relay 2, normally open terminal
RE2 COM	Relay 2, common terminal
RE2 NC	Relay 2, normally closed terminal
L	90...265 VAC Phase (optional 24 VAC / VDC)
N	90...265 VAC Neutral (optional 24 VAC / VDC)

The terminals on the E2630 series devices are suitable for a wide range of wires with cross-section 0,2...1,5 mm². We recommend to strip the wire end by 5..6 mm and use the wire end sleeves. To connect the wire, loosen the screw, insert the wire end into the terminal hole and tighten the screw. The outer diameter of the cable must not exceed 8 mm.

To use relay outputs, connect the chosen actuators to the relay terminals RE1 and/or RE2.

NOTE! Actuator short-circuits shall be avoided. To protect the instrument relays, use external fuses or safety switches.

3. Place the lid back and fix it with the screws. Make certain that the cable glands are properly tightened to ensure the conformity to IP65 protection class.

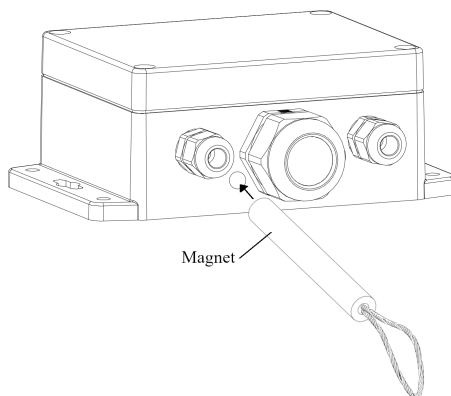
4. Turn on the power. It may take up to five minutes after switching on for the sensor to stabilize.

For stable operating, it is recommended to keep the detector powered constantly, except for periods of maintenance, calibration, replacement, etc.

Operation

During the first ca. 60 seconds after powering on E2630 performs a warming-up and self-diagnostic routine, indicated by the flashing of each LED. The upper dual-color LED remains continuously green in normal operation and blinks red in case of device or sensor fault. The warm-up time depends on the sensor type, unpowered period, and atmosphere.

During the first 30 seconds after powering on you may select the automatic or manual mode of alarm release. Touch the device with the magnet key on the spot shown in the drawing below.



A short touch (< 2 s) enables the automatic mode, a touch of 2...10 s – manual mode. The activation of the automatic mode is followed by a single LED blinking and acoustic signal. If manual mode is activated, the double acoustic and light signal follows.

If the gas concentration exceeds the LOW alarm setpoint, the bottom red LED starts flashing at a rate of 1 Hz, and the relay RE1 switches over. The first alarm stops automatically if the gas concentration drops below 70% of the LOW alarm setpoint.

If the gas level exceeds the HIGH alarm setpoint, the bottom red LED starts flashing and the buzzer starts beeping at a rate of 2 Hz, and also the relay RE2 switches over. Depending on the selected release mode, the HIGH alarm stops automatically or can be stopped with a short touch of the magnet key, if the gas level has dropped below 70% of the LOW alarm setpoint. Upon contact, the key should activate the reed switch located left of the sensor inside the device.

Apart from the warming-up period, a 2....10 s touch causes the device to reset and perform the self-diagnostic routine for testing purposes. To check the visual and acoustic alarm, touch the device with the magnet key for more than 10 s. This will launch blinking and beeping (stops as soon as the key is withdrawn).

Sensor probe handling

The sensor probes of all types are equipped with a hydrophobic microporous PTFE filter to protect the sensor from dust, dirt, and water drops. The filter may be replaced if it gets strongly contaminated. To replace the PTFE filter, unscrew the sensor head cap and remove the old filter. Place a new filter into the cap and tighten it again.

NOTE! Never stab or press the filter near its center where the sensor is located since this may damage the sensor. Do not remove the filter as it may cause the device to show incorrect values and/or break the sensor.

The recommended orientation of the sensor probe is vertical with the sensor tip pointing downwards. This prevents the possible accumulation of condensed water on the sensor protection filter.

NOTE! Metal oxide semiconductor sensors are not replaceable!

Maintenance

Do not perform any maintenance operation with the power on.

Clean the device with a soft damp cloth. Do not use any abrasive cleaning agents. Do not immerse the device in water or any cleaning media.

Calibration

E2630-HFC detectors have been calibrated by the Manufacturer with standard gas mixtures before delivery. Provided that the sensor is used under moderate conditions, field recalibration is recommended every 12 months. Please contact your dealer for more information.

Delivery set

- Refrigerant Detector E2630-HFC
- Magnet key
- Mounting accessories:
 - 4 screws and 4 plastic dowel plugs

Order code for E2630-HFC options

E2630 options	Order code
Integrated 90...265 V mains power supply module	E2630-HFC-230
Integrated 24 VAC power supply module	E2630-HFC-24VAC

Warranty

This product is warranted to be free from defects in material and workmanship for a period of one year from the date of the original sale. During this warranty period, the Manufacturer will, at its option, either repair or replace a product that proves to be defective. This warranty is void if the product has been operated in conditions outside ranges specified by the Manufacturer or damaged by customer error or negligence or if there has been an unauthorized modification.

Manufacturer contacts

Evikon MCI OÜ

Teaduspargi 9, Tartu

50411 Estonia

info@evikon.eu

www.evikon.eu

